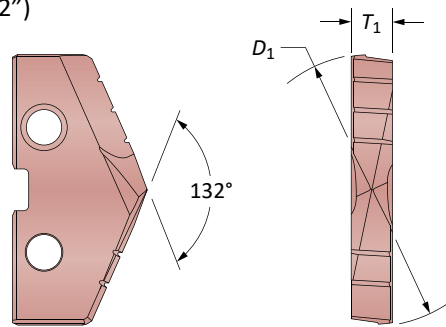
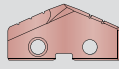
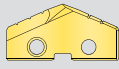


**Břitové destičky GEN2 T-A®**

Série 3 | HSS | Rozsah průměrů: 34,36 mm - 47,80 mm (1.353" - 1.882")

**Destičky HSS – Premium Cobalt**

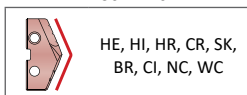
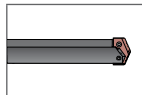
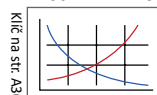
Destička			T ₁ mm	Kód	
D ₁ mm	D ₁ inch	Palců (zlomkem)		 AM200®	 TiN
35.72	1.4063	1-13/32	6.35	483H-0113	483T-0113
36.00	1.4173	-		483H-36	483T-36
36.51	1.4375	1-7/16		483H-0114	483T-0114
37.00	1.4567	-		483H-37	483T-37
37.31	1.4688	1-15/32		483H-0115	483T-0115
38.00	1.4961	-		483H-38	483T-38
38.10	1.5000	1-1/2		483H-0116	483T-0116
38.89	1.5313	1-17/32		483H-0117	483T-0117
39.00	1.5354	-		483H-39	483T-39
39.29	1.5470	-		483H-1.547	483T-1.547
39.69	1.5625	1-9/16		483H-0118	483T-0118
40.00	1.5748	-		483H-40	483T-40
40.48	1.5938	1-19/32		483H-0119	483T-0119
41.00	1.6142	-		483H-41	483T-41
41.28	1.6250	1-5/8		483H-0120	483T-0120
42.00	1.6535	-		483H-42	483T-42
42.07	1.6563	1-21/32		483H-0121	483T-0121
42.86	1.6875	1-11/16		483H-0122	483T-0122
43.00	1.6929	-		483H-43	483T-43
43.66	1.7188	1-23/32		483H-0123	483T-0123
44.00	1.7323	-		483H-44	483T-44
44.45	1.7500	1-3/4		483H-0124	483T-0124
45.00	1.7717	-		483H-45	483T-45
45.24	1.7813	1-25/32		483H-0125	483T-0125
45.50	1.7913	-		483H-45.5	483T-45.5
45.64	1.7970	-		483H-1.797	483T-1.797
46.00	1.8110	-		483H-46	483T-46
46.04	1.8125	1-13/16		483H-0126	483T-0126
46.83	1.8438	1-27/32	483H-0127	483T-0127	
47.00	1.8504	-	483H-47	483T-47	
47.63	1.8750	1-7/8	483H-0128	483T-0128	

Destičky se dodávají po 1 ks

A30: 114 - 145

A30: 82 - 85

A30: 4 - 6



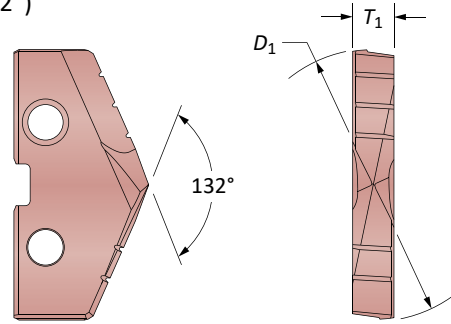
Položky s povlaky neuvedenými výše jsou dodávány jako nestandardní.



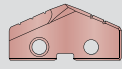
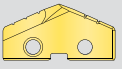
TiN = 131T-XXXX	TiAlN = 131A-XXXX
TiCN = 131N-XXXX	AM200® = 131H-XXXX

Břitové destičky GEN2 T-A®

Série 3 | HSS | Rozsah průměrů: 34,36 mm - 47,80 mm (1.353" - 1.882")



Destičky HSS – Super Cobalt

Destička			T ₁ mm	Kód	
D ₁ mm	D ₁ inch	Palců (zlomkem)		 AM200®	 TiN
35.72	1.4063	1-13/32	6.35	453H-0113	453T-0113
36.00	1.4173	-		453H-36	453T-36
36.51	1.4375	1-7/16		453H-0114	453T-0114
37.00	1.4567	-		453H-37	453T-37
37.31	1.4688	1-15/32		453H-0115	453T-0115
38.00	1.4961	-		453H-38	453T-38
38.10	1.5000	1-1/2		453H-0116	453T-0116
38.89	1.5313	1-17/32		453H-0117	453T-0117
39.00	1.5354	-		453H-39	453T-39
39.29	1.5470	-		453H-1.547	453T-1.547
39.69	1.5625	1-9/16		453H-0118	453T-0118
40.00	1.5748	-		453H-40	453T-40
40.48	1.5938	1-19/32		453H-0119	453T-0119
41.00	1.6142	-		453H-41	453T-41
41.28	1.6250	1-5/8		453H-0120	453T-0120
42.00	1.6535	-		453H-42	453T-42
42.07	1.6563	1-21/32		453H-0121	453T-0121
42.86	1.6875	1-11/16		453H-0122	453T-0122
43.00	1.6929	-		453H-43	453T-43
43.66	1.7188	1-23/32		453H-0123	453T-0123
44.00	1.7323	-		453H-44	453T-44
44.45	1.7500	1-3/4		453H-0124	453T-0124
45.00	1.7717	-		453H-45	453T-45
45.24	1.7813	1-25/32		453H-0125	453T-0125
45.50	1.7913	-		453H-45.5	453T-45.5
45.64	1.7970	-		453H-1.797	453T-1.797
46.00	1.8110	-		453H-46	453T-46
46.04	1.8125	1-13/16		453H-0126	453T-0126
46.83	1.8438	1-27/32	453H-0127	453T-0127	
47.00	1.8504	-	453H-47	453T-47	
47.63	1.8750	1-7/8	453H-0128	453T-0128	

Destičky se dodávají po 1 ks

Položky s povlaky neuvedenými výše jsou dodávány jako nestandardní.

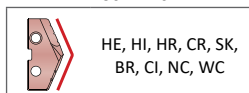
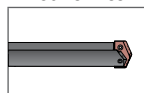
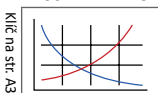


TiN = 131T-XXXX	TiAlN = 131A-XXXX
TiCN = 131N-XXXX	AM200® = 131H-XXXX

A30: 114 - 145

A30: 82 - 85

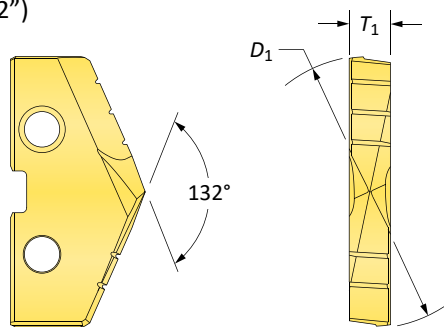
A30: 4 - 6



Klíč na str. A30: 1

Břítové destičky GEN2 T-A®

Série 3 | HSS | Rozsah průměrů: 34,36 mm - 47,80 mm (1.353" - 1.882")



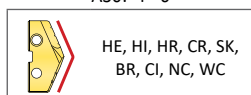
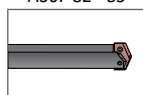
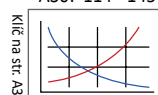
Destičky HSS – Premium Cobalt

Destička				Kód
D_1 mm	D_1 inch	Palců (zlomkem)	T_1 mm	TiN
35.72	1.4063	1-13/32	6.35	483T-0113
36.00	1.4173	-		483T-36
36.51	1.4375	1-7/16		483T-0114
37.00	1.4567	-		483T-37
37.31	1.4688	1-15/32		483T-0115
38.00	1.4961	-		483T-38
38.10	1.5000	1-1/2		483T-0116
38.89	1.5313	1-17/32		483T-0117
39.00	1.5354	-		483T-39
39.29	1.5470	-		483T-1.547
39.69	1.5625	1-9/16		483T-0118
40.00	1.5748	-		483T-40
40.48	1.5938	1-19/32		483T-0119
41.00	1.6142	-		483T-41
41.28	1.6250	1-5/8		483T-0120
42.00	1.6535	-		483T-42
42.07	1.6563	1-21/32		483T-0121
42.86	1.6875	1-11/16		483T-0122
43.00	1.6929	-		483T-43
43.66	1.7188	1-23/32		483T-0123
44.00	1.7323	-		483T-44
44.45	1.7500	1-3/4		483T-0124
45.00	1.7717	-		483T-45
45.24	1.7813	1-25/32		483T-0125
45.50	1.7913	-		483T-45.5
45.64	1.7970	-		483T-1.797
46.00	1.8110	-		483T-46
46.04	1.8125	1-13/16		483T-0126
46.83	1.8438	1-27/32	483T-0127	
47.00	1.8504	-	483T-47	
47.63	1.8750	1-7/8	483T-0128	

A30: 114 - 145

A30: 82 - 85

A30: 4 - 6



Položky s povlaky neuvedenými výše jsou dodávány jako nestandardní.

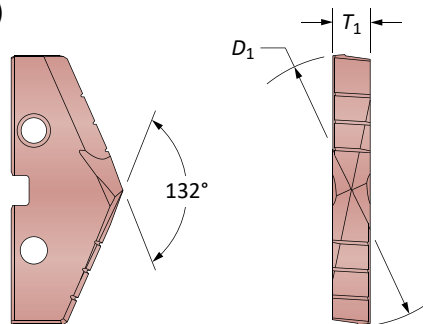


TiN = 131T-XXXX	TiAlN = 131A-XXXX
TiCN = 131N-XXXX	AM200® = 131H-XXXX

Destičky se dodávají po 1 ks

Břítové destičky T-A® Original

Série 3 | HSS | Rozsah průměrů: 34,36 mm - 47,80 mm (1.353" - 1.882")



Destičky HSS – Super Cobalt

Destička				Kód
D_1 mm	D_1 inch	Palců (zlomkem)	T_1 mm	AM200®
35.72	1.4063	1-13/32	6.35	153H-0113
36.00	1.4173	-		153H-36
36.51	1.4375	1-7/16		153H-0114
37.00	1.4567	-		153H-37
37.31	1.4688	1-15/32		153H-0115
38.00	1.4961	-		153H-38
38.10	1.5000	1-1/2		153H-0116
38.89	1.5313	1-17/32		153H-0117
39.00	1.5354	-		153H-39
39.29	1.5470	-		153H-1.547
39.69	1.5625	1-9/16		153H-0118
40.00	1.5748	-		153H-40
40.48	1.5938	1-19/32		153H-0119
41.00	1.6142	-		153H-41
41.28	1.6250	1-5/8		153H-0120
42.00	1.6535	-		153H-42
42.07	1.6563	1-21/32		153H-0121
42.86	1.6875	1-11/16		153H-0122
43.00	1.6929	-		153H-43
43.66	1.7188	1-23/32		153H-0123
44.00	1.7323	-		153H-44
44.45	1.7500	1-3/4		153H-0124
45.00	1.7717	-		153H-45
45.24	1.7813	1-25/32		153H-0125
45.50	1.7913	-		153H-45.5
45.64	1.7970	-		153H-1.797
46.00	1.8110	-		153H-46
46.04	1.8125	1-13/16		153H-0126
46.83	1.8438	1-27/32	153H-0127	
47.00	1.8504	-	153H-47	
47.63	1.8750	1-7/8	153H-0128	

A30: 114 - 145 A30: 82 - 85 A30: 4 - 6

HI, HR, CR, SK, BR, CI, NC, WC

Položky s povlaky neuvedenými výše jsou dodávány jako nestandardní.

Destičky se dodávají po 1 ks

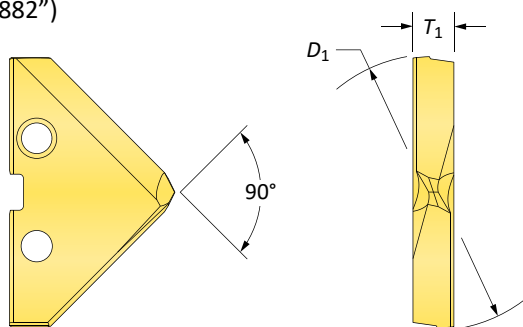
TIN = 131T-XXXX	TIAIN = 131A-XXXX
TICN = 131N-XXXX	AM200® = 131H-XXXX

Břitové destičky T-A® Original


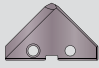

Série 3 | HSS | Rozsah průměrů: 34,36 mm - 47,80 mm (1.353" - 1.882")



90° Spot & Chamfer



Destičky HSS – Super Cobalt

Destička				Kód		
D_1 mm	D_1 inch	Palců (zlomkem)	T_1 mm	 TIN	 TiAlN	 TiCN
35.72	1.4063	1-13/32	6.35	153T-0113-SP	153A-0113-SP	153N-0113-SP
36.00	1.4173	-		153T-36-SP	153A-36-SP	153N-36-SP
36.51	1.4375	1-7/16		153T-0114-SP	153A-0114-SP	153N-0114-SP
37.00	1.4567	-		153T-37-SP	153A-37-SP	153N-37-SP
37.31	1.4688	1-15/32		153T-0115-SP	153A-0115-SP	153N-0115-SP
38.00	1.4961	-		153T-38-SP	153A-38-SP	153N-38-SP
38.10	1.5000	1-1/2		153T-0116-SP	153A-0116-SP	153N-0116-SP
38.89	1.5313	1-17/32		153T-0117-SP	153A-0117-SP	153N-0117-SP
39.00	1.5354	-		153T-39-SP	153A-39-SP	153N-39-SP
39.29	1.5470	-		153T-1.547-SP	153A-1.547-SP	153N-1.547-SP
39.69	1.5625	1-9/16		153T-0118-SP	153A-0118-SP	153N-0118-SP
40.00	1.5748	-		153T-40-SP	153A-40-SP	153N-40-SP
40.48	1.5938	1-19/32		153T-0119-SP	153A-0119-SP	153N-0119-SP
41.00	1.6142	-		153T-41-SP	153A-41-SP	153N-41-SP
41.28	1.6250	1-5/8		153T-0120-SP	153A-0120-SP	153N-0120-SP
42.00	1.6535	-		153T-42-SP	153A-42-SP	153N-42-SP
42.07	1.6563	1-21/32		153T-0121-SP	153A-0121-SP	153N-0121-SP
42.86	1.6875	1-11/16		153T-0122-SP	153A-0122-SP	153N-0122-SP
43.00	1.6929	-		153T-43-SP	153A-43-SP	153N-43-SP
43.66	1.7188	1-23/32		153T-0123-SP	153A-0123-SP	153N-0123-SP
44.00	1.7323	-		153T-44-SP	153A-44-SP	153N-44-SP
44.45	1.7500	1-3/4		153T-0124-SP	153A-0124-SP	153N-0124-SP
45.00	1.7717	-		153T-45-SP	153A-45-SP	153N-45-SP
45.24	1.7813	1-25/32		153T-0125-SP	153A-0125-SP	153N-0125-SP
45.50	1.7913	-		153T-45.5-SP	153A-45.5-SP	153N-45.5-SP
45.64	1.7970	-		153T-1.797-SP	153A-1.797-SP	153N-1.797-SP
46.00	1.8110	-		153T-46-SP	153A-46-SP	153N-46-SP
46.04	1.8125	1-13/16		153T-0126-SP	153A-0126-SP	153N-0126-SP
46.83	1.8438	1-27/32		153T-0127-SP	153A-0127-SP	153N-0127-SP
47.00	1.8504	-		153T-47-SP	153A-47-SP	153N-47-SP
47.63	1.8750	1-7/8	153T-0128-SP	153A-0128-SP	153N-0128-SP	

Destičky se dodávají po 1 ks

Položky s povlaky
neuvedenými výše jsou
dodávány jako nestandardní.



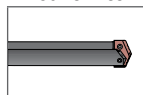
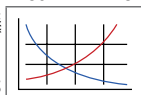
TIN = 131T-XXXX	TiAlN = 131A-XXXX
TiCN = 131N-XXXX	AM200® = 131H-XXXX

A30: 114 - 145

A30: 82 - 85

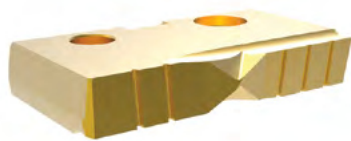
A30: 4 - 6

Klična str. A30: 1

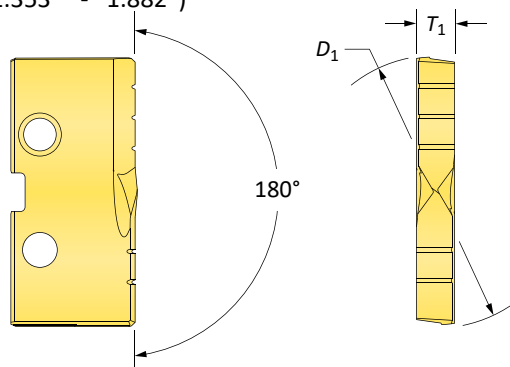


Břítové destičky T-A® Original

Série 3 | HSS | Rozsah průměrů: 34,36 mm - 47,80 mm (1.353" - 1.882")



Rovné dno (FB)



Destičky HSS – Super Cobalt

Destička			T ₁ mm	Kód
D ₁ mm	D ₁ inch	Palců (zlomkem)		TiN
35.72	1.4063	1-13/32	6.35	153T-0113-FB
36.00	1.4173	-		153T-36-FB
36.51	1.4375	1-7/16		153T-0114-FB
37.00	1.4567	-		153T-37-FB
37.31	1.4688	1-15/32		153T-0115-FB
38.00	1.4961	-		153T-38-FB
38.10	1.5000	1-1/2		153T-0116-FB
38.89	1.5313	1-17/32		153T-0117-FB
39.00	1.5354	-		153T-39-FB
39.29	1.5470	-		153T-1.547-FB
39.69	1.5625	1-9/16		153T-0118-FB
40.00	1.5748	-		153T-40-FB
40.48	1.5938	1-19/32		153T-0119-FB
41.00	1.6142	-		153T-41-FB
41.28	1.6250	1-5/8		153T-0120-FB
42.00	1.6535	-		153T-42-FB
42.07	1.6563	1-21/32		153T-0121-FB
42.86	1.6875	1-11/16		153T-0122-FB
43.00	1.6929	-		153T-43-FB
43.66	1.7188	1-23/32		153T-0123-FB
44.00	1.7323	-		153T-44-FB
44.45	1.7500	1-3/4		153T-0124-FB
45.00	1.7717	-		153T-45-FB
45.24	1.7813	1-25/32		153T-0125-FB
45.50	1.7913	-		153T-45.5-FB
45.64	1.7970	-		153T-1.797-FB
46.00	1.8110	-		153T-46-FB
46.04	1.8125	1-13/16		153T-0126-FB
46.83	1.8438	1-27/32	153T-0127-FB	
47.00	1.8504	-	153T-47-FB	
47.63	1.8750	1-7/8	153T-0128-FB	

Destičky se dodávají po 1 ks

Položky s povlaky neuvedenými výše jsou dodávány jako nestandardní.

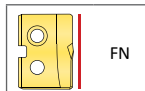
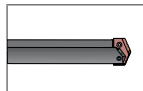
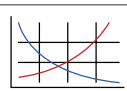


TiN = 131T-XXXX	TiAlN = 131A-XXXX
TiCN = 131N-XXXX	AM200® = 131H-XXXX

A30: 114 - 145

A30: 82 - 85

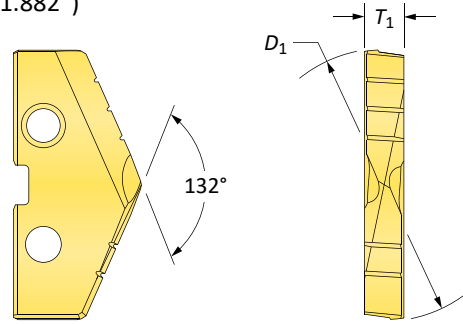
A30: 4 - 6

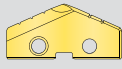
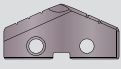


Klič na str. A30: 1

**Břitové destičky T-A® Original**

Série 3 | Karbidové | Rozsah průměrů: 34,36 mm - 47,80 mm (1.353" - 1.882")

**Karbidové destičky – K20 (C2)**

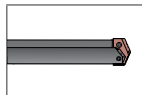
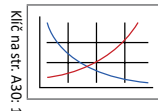
Destička			T ₁ mm	Kód	
D ₁ mm	D ₁ inch	Palců (zlomkem)		 TiN	 TiAlN
35.72	1.4063	1-13/32	6.35	1C23T-0113	1C23A-0113
36.00	1.4173	–		1C23T-36	1C23A-36
36.51	1.4375	1-7/16		1C23T-0114	1C23A-0114
37.00	1.4567	–		1C23T-37	1C23A-37
37.31	1.4688	1-15/32		1C23T-0115	1C23A-0115
38.00	1.4961	–		1C23T-38	1C23A-38
38.10	1.5000	1-1/2		1C23T-0116	1C23A-0116
38.89	1.5313	1-17/32		1C23T-0117	1C23A-0117
39.00	1.5354	–		1C23T-39	1C23A-39
39.29	1.5470	–		1C23T-1.547	1C23A-1.547
39.69	1.5625	1-9/16		1C23T-0118	1C23A-0118
40.00	1.5748	–		1C23T-40	1C23A-40
40.48	1.5938	1-19/32		1C23T-0119	1C23A-0119
41.00	1.6142	–		1C23T-41	1C23A-41
41.28	1.6250	1-5/8		1C23T-0120	1C23A-0120
42.00	1.6535	–		1C23T-42	1C23A-42
42.07	1.6563	1-21/32		1C23T-0121	1C23A-0121
42.86	1.6875	1-11/16		1C23T-0122	1C23A-0122
43.00	1.6929	–		1C23T-43	1C23A-43
43.66	1.7188	1-23/32		1C23T-0123	1C23A-0123
44.00	1.7323	–		1C23T-44	1C23A-44
44.45	1.7500	1-3/4		1C23T-0124	1C23A-0124
45.00	1.7717	–		1C23T-45	1C23A-45
45.24	1.7813	1-25/32		1C23T-0125	1C23A-0125
45.50	1.7913	–		1C23T-45.5	1C23A-45.5
45.64	1.7970	–		1C23T-1.797	1C23A-1.797
46.00	1.8110	–		1C23T-46	1C23A-46
46.04	1.8125	1-13/16		1C23T-0126	1C23A-0126
46.83	1.8438	1-27/32		1C23T-0127	1C23A-0127
47.00	1.8504	–		1C23T-47	1C23A-47
47.63	1.8750	1-7/8		1C23T-0128	1C23A-0128

Destičky se dodávají po 1 ks

A30: 114 - 145

A30: 82 - 85

A30: 4 - 6



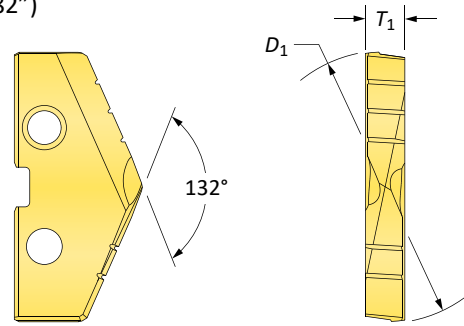
HI, HR, CR, SK,
NP, IN, RN, CN,
AN, BR, NC, WC

Položky s povlaky
neuvedenými výše jsou
dodávány jako
nestandardní. →

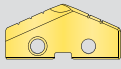
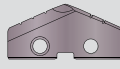
TiN = 131T-XXXX	TiAlN = 131A-XXXX
TiCN = 131N-XXXX	AM200® = 131H-XXXX

Břitové destičky T-A® Original

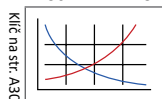
Série 3 | HSS | Rozsah průměrů: 34,36 mm - 47,80 mm (1.353" - 1.882")



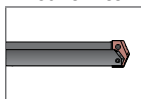
Karbidové destičky – P35 (C5)

Destička				Kód	
D_1 mm	D_1 inch	Palců (zlomkem)	T_1 mm	 TiN	 TiAlN
35.72	1.4063	1-13/32	6.35	1C53T-0113	1C53A-0113
36.00	1.4173	–		1C53T-36	1C53A-36
36.51	1.4375	1-7/16		1C53T-0114	1C53A-0114
37.00	1.4567	–		1C53T-37	1C53A-37
37.31	1.4688	1-15/32		1C53T-0115	1C53A-0115
38.00	1.4961	–		1C53T-38	1C53A-38
38.10	1.5000	1-1/2		1C53T-0116	1C53A-0116
38.89	1.5313	1-17/32		1C53T-0117	1C53A-0117
39.00	1.5354	–		1C53T-39	1C53A-39
39.29	1.5470	–		1C53T-1.547	1C53A-1.547
39.69	1.5625	1-9/16		1C53T-0118	1C53A-0118
40.00	1.5748	–		1C53T-40	1C53A-40
40.48	1.5938	1-19/32		1C53T-0119	1C53A-0119
41.00	1.6142	–		1C53T-41	1C53A-41
41.28	1.6250	1-5/8		1C53T-0120	1C53A-0120
42.00	1.6535	–		1C53T-42	1C53A-42
42.07	1.6563	1-21/32		1C53T-0121	1C53A-0121
42.86	1.6875	1-11/16		1C53T-0122	1C53A-0122
43.00	1.6929	–		1C53T-43	1C53A-43
43.66	1.7188	1-23/32		1C53T-0123	1C53A-0123
44.00	1.7323	–		1C53T-44	1C53A-44
44.45	1.7500	1-3/4		1C53T-0124	1C53A-0124
45.00	1.7717	–		1C53T-45	1C53A-45
45.24	1.7813	1-25/32		1C53T-0125	1C53A-0125
45.50	1.7913	–		1C53T-45.5	1C53A-45.5
45.64	1.7970	–		1C53T-1.797	1C53A-1.797
46.00	1.8110	–		1C53T-46	1C53A-46
46.04	1.8125	1-13/16		1C53T-0126	1C53A-0126
46.83	1.8438	1-27/32		1C53T-0127	1C53A-0127
47.00	1.8504	–		1C53T-47	1C53A-47
47.63	1.8750	1-7/8		1C53T-0128	1C53A-0128

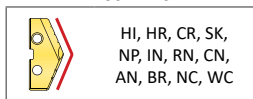
A30: 114 - 145



A30: 82 - 85



A30: 4 - 6



Položky s povlaky
neuvedenými výše jsou
dodávány jako nestandardní.

TiN = 131T-XXXX	TiAlN = 131A-XXXX
TiCN = 131N-XXXX	AM200® = 131H-XXXX

Destičky se dodávají po 1 ks

Klíč na str. A30: 1